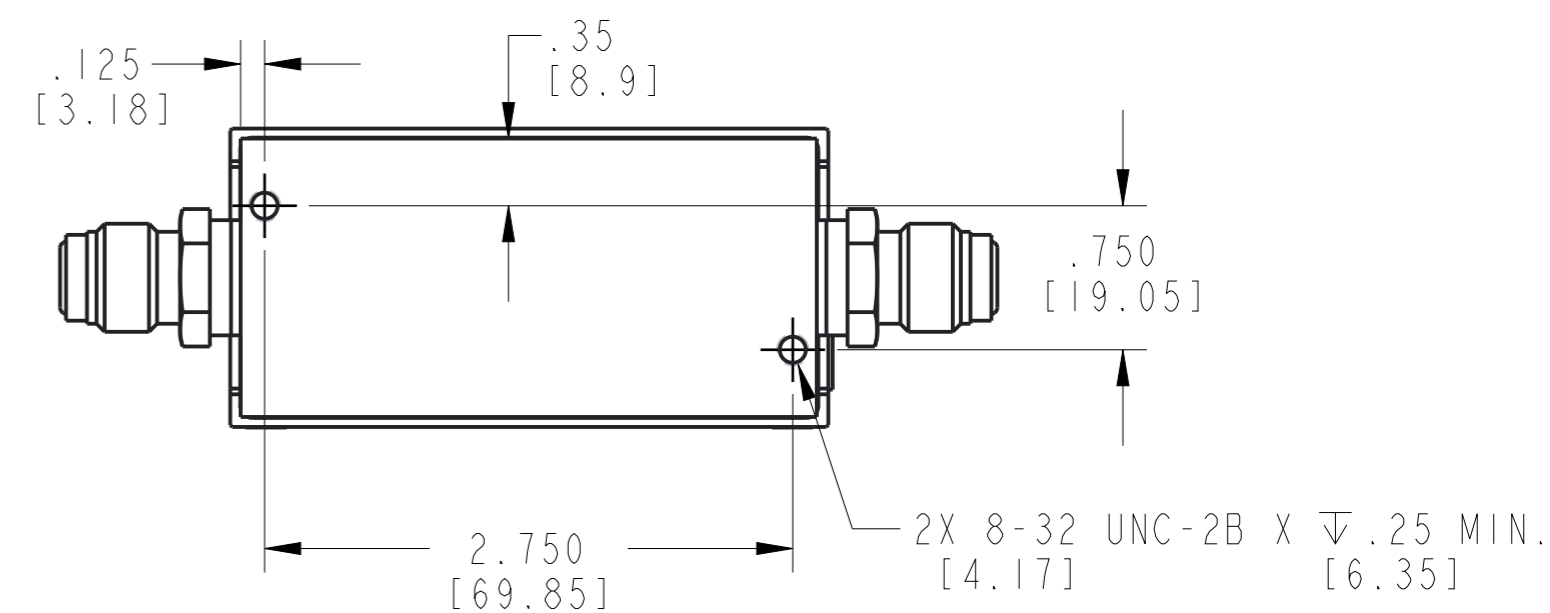
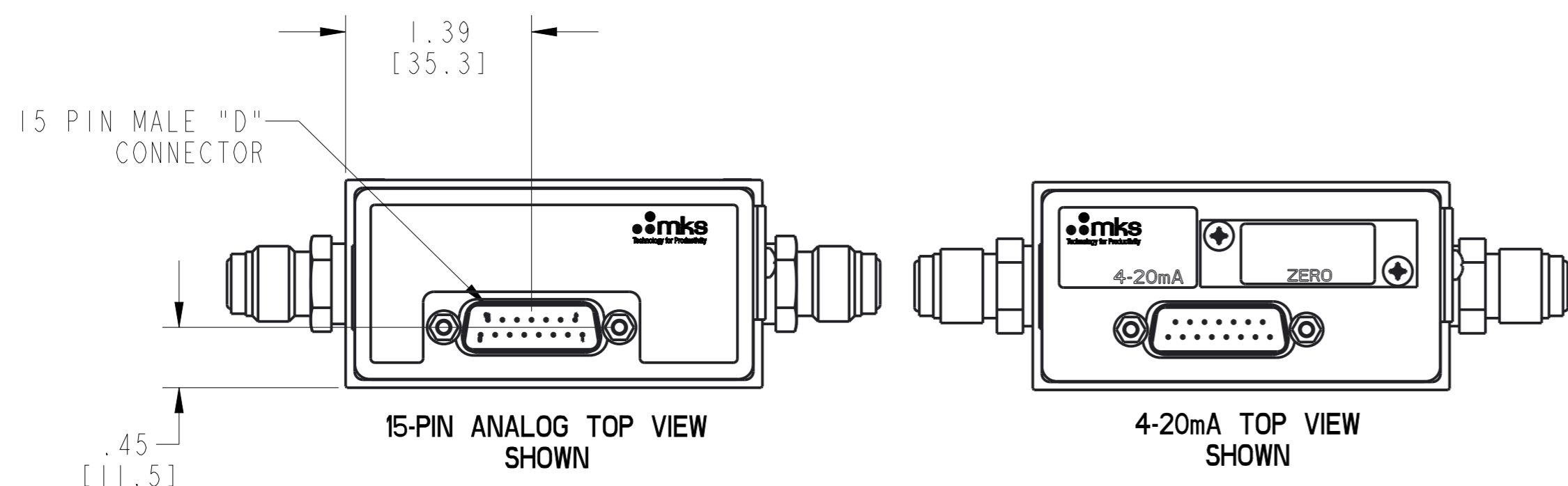
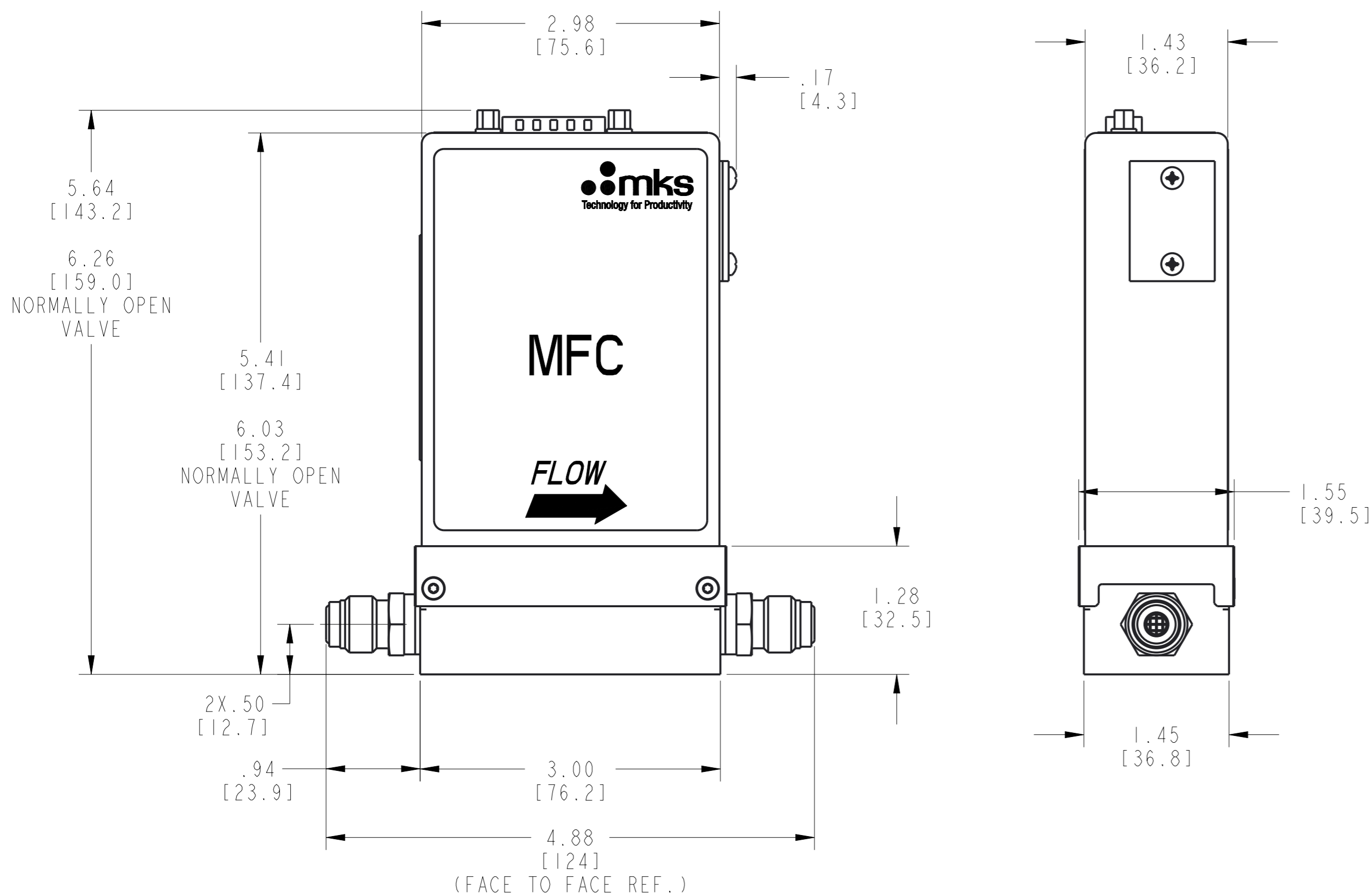


Dimensional Drawing —

Analog 15 pin D for either 0 to 5 VDC or 4 to 20 mA I/O shown with VCR fittings



IE50A 4VCR/VCO/SWAGELOK MOUNTING DIMENSIONS



15-PIN ANALOG
AND 15-PIN 4-20 mA
(4VCR VERSION)